

KITE OPTICS®



SP 85 HD

MANUAL

INSTRUCTION MANUAL

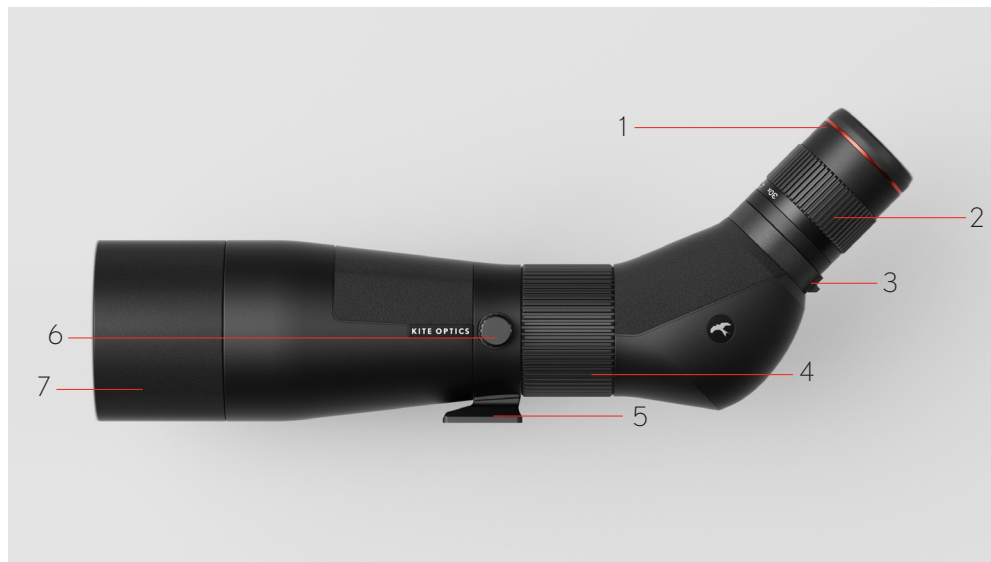
We thank you for your purchase of a KITE OPTICS product.

This document contains important safety instructions, please read it carefully.

1. Eyecup
2. Zoom wheel
3. Eyepiece lock
4. Focusing wheel
5. Tripod foot
6. Viewing angle screw
7. Retractable sunshield

SCOPE OF DELIVERY

- SP 85 HD Body
- 30-60x Eyepiece
- Warranty card



ADJUSTING THE EYECUPS FOR USE WITH AND WITHOUT SPECTACLES (1)

Turn the eyecup counterclockwise for observation without spectacles.

Turn the eyecup clockwise for observation with spectacles.



FOCUSING WHEEL

Turn the focus wheel to obtain a sharp image of objects nearby or far away.



TRIPOD FOOT

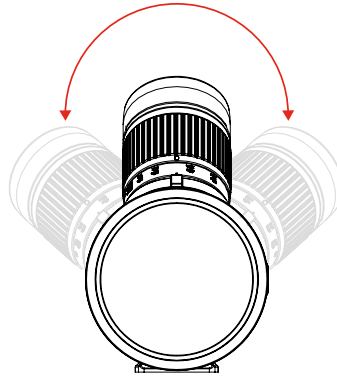
The SP 85 HD tripod foot fits directly into the Manfrotto 128RC tripod head.

With its 3/8" thread, it can also be mounted on any other tripod head.

VIEWING ANGLE SCREW

When the scope is mounted on a tripod. You can choose the desired viewing position.

Unlock the screw, and you can click the scope to a 0° - $\pm 45^\circ$ - $\pm 90^\circ$ angle. Lock the screw to keep the scope in position.



USING THE SUNSHIELD

The sunshield can be retracted to protect the objective lens from rain, or keep away disturbing lateral light.



SAFETY PRECAUTIONS

1. Never look at the sun or an intense light source with this product. It will damage your eyes.
2. Avoid using the device while walking to prevent overlooking obstacles. Be sure to read the instruction manual.
3. Repairs must be conducted solely at authorized service centers, and attempts to dismantle or modify the device may cause damage, injury, or electric shock.
4. Avoid exposing the device to insect repellents or aggressive chemicals; use only recommended cleaning agents.
5. Keep the device out of reach of small children.
6. Avoid touching glass surfaces with fingers, especially if hand creams or insect repellents have been applied, as these substances may contain chemicals harmful to coatings.
7. Keep a record of the device's serial number for loss prevention.

CARE AND MAINTENANCE

Your instrument does not require any special maintenance. We advise you to take good care of the lens and make sure the instrument is well stored when it is not being used.

Cleaning of the lens: Always remove large particles first, using a soft brush or by blowing them away. Large particles such as sand or salt could cause scratches on the lens surface during cleaning. For thorough cleaning we recommend breathing onto the lens surface to form a coat of condensation and then cleaning it with a soft and moist cloth.

Never press hard or use force while wiping the lens. We advise not to use liquids meant for spectacle cleaning, unless they are advised for binoculars or scopes.

Some liquids can bring damage to the coatings of your sight.

STORAGE

Store your optics in a dry and well ventilated place. When the instrument is wet or moist, it must be dried before storage.

Avoid your instrument of being exposed to dust and sand.

WARRANTY

The warranty period of your instrument starts on the date of purchase in accordance with the following conditions: In case of manufacturing faults or defects in material not caused by the user, we take on material and workmanship costs. We reserve the right to repair or replace the instrument or the defective part at our discretion.

This warranty is not valid when the defect has been caused by improper handling of the instrument, or in case of accidents.

Wear parts like eyecups, leather details, armoring, carry straps and accessories are also exempt from the warranty.

The same applies for surface damage. In that case, thanks to the excellent after-sales service of KITE Optics, the costs of materials and workmanship will be brought to a minimum.

It is in our philosophy and reputation to offer our customers the very best after-sales service available in the world of sport optics. In a warranty case or for repair work, present the instrument together with this card to your authorized KITE Optics dealer. An instrument sent in without this card can not be repaired free of costs.

WARNING! The warranty is not valid when the product has been serviced or repaired by a person or repair shop that is not authorized by KITE Optics.

Never try to repair or make modifications to the instrument yourself. **NOTE.** The device is splash-, water-, and dust-resistant, rated IPX7 under controlled laboratory conditions.

This resistance may diminish over time due to wear and tear, and damage caused by liquids is therefore not guaranteed to be covered by the warranty.

KITE OPTICS®



VLAMINGVELD 89

8490 JABBEKE

BELGIUM

T +32 50 69 23 19

WWW.KITEOPTICS.COM

INFO@KITEOPTICS.COM